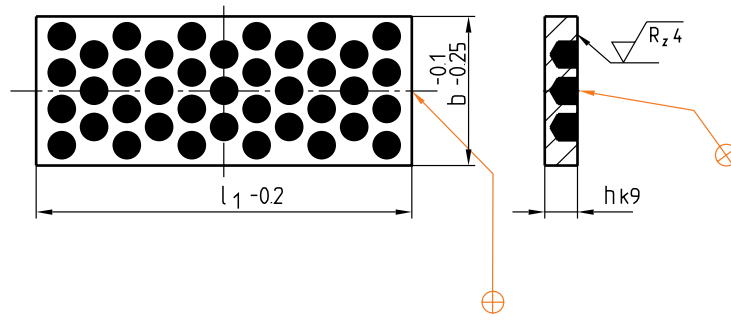
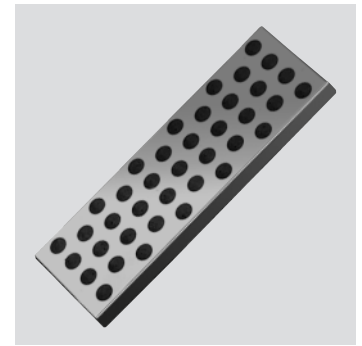


Z 186 W/...

Mat.: 2.0492



max. °C	b	h	l ₁	Nr./No.
200	25	5	50	Z 186W/25x5x 50
			71	71
			90	90
	40	5	50	Z 186W/40x5x 50
			71	71
			90	90
	40	6	80	Z 186W/40x6x 80
			100	100
			125	125

max. °C	b	h	l ₁	Nr./No.
200	40	6	160	Z 186W/40x6x 160
			200	200
			80	Z 186W/63x6x 80
	63	6	100	100
			125	125
			160	160